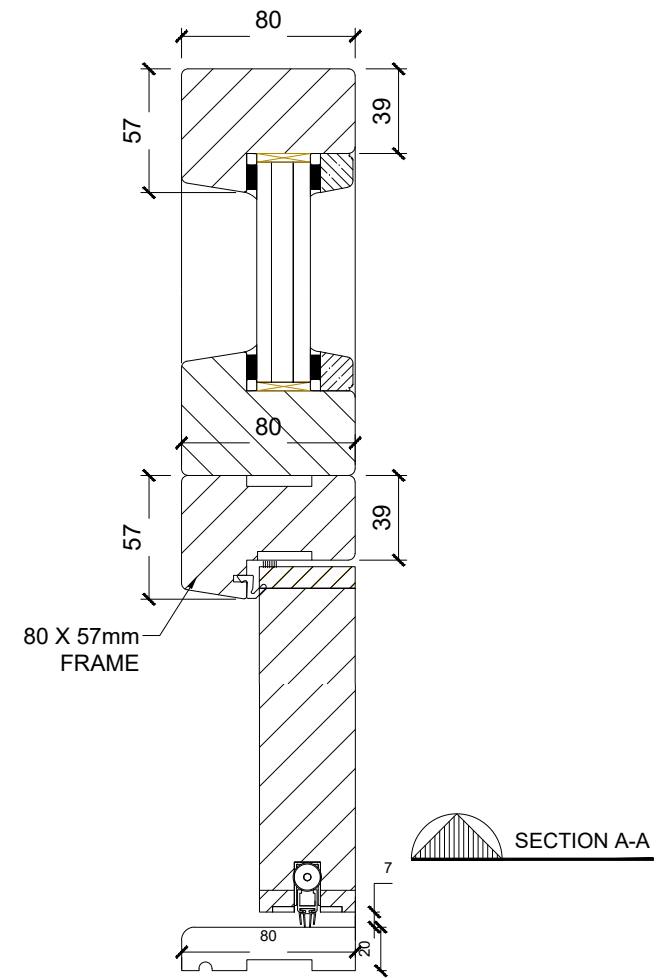
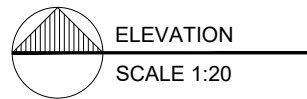


**QTE2.0 FD30S c/w FD30S Fanlight - SBD - PAS24 : 2016**

1. Door Colour - TBC
2. Frame Colour - White NCS S0502Y
3. Threshold - Drop seal c/w 80x20mm hardwood cill (*Fitted*)
4. Glass - FD30 Clear DGU
5. SAA Hinges (*Fitted*)
6. Nickel Anti-Bump/Snap Euro Cylinder (Key/Turn) (*Fitted*)
7. Keep Op. 3 Point Lock (*Fitted*)
8. SAA Letterplate (Soterian) (*Fitted*)
9. Chrome Door Chain (*Loose*)
10. Chrome 75mm Numerals (*Loose*)
11. SAA Spyhole (*Fitted*)
12. SAA Dorma TS71 Overhead door closer (*Loose*)

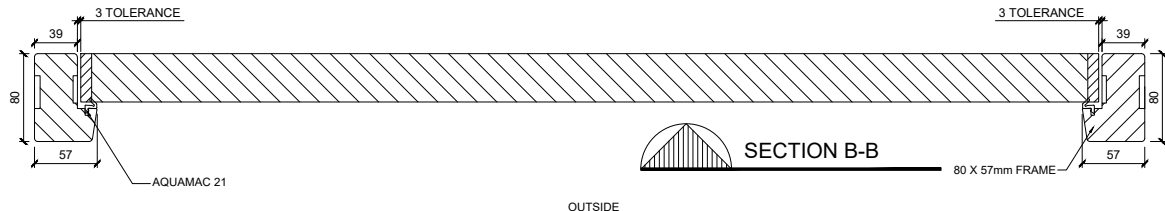
- 1no. Set 70x12mm R2A finished in White NCS S0502Y to match the frame.
- High Security 3 point locking system to DIN 18103.Ø Euro Cylinder\* - Key /Thumb + Cylinder Guard (inc 3 Keys)





Quote Ref: D1

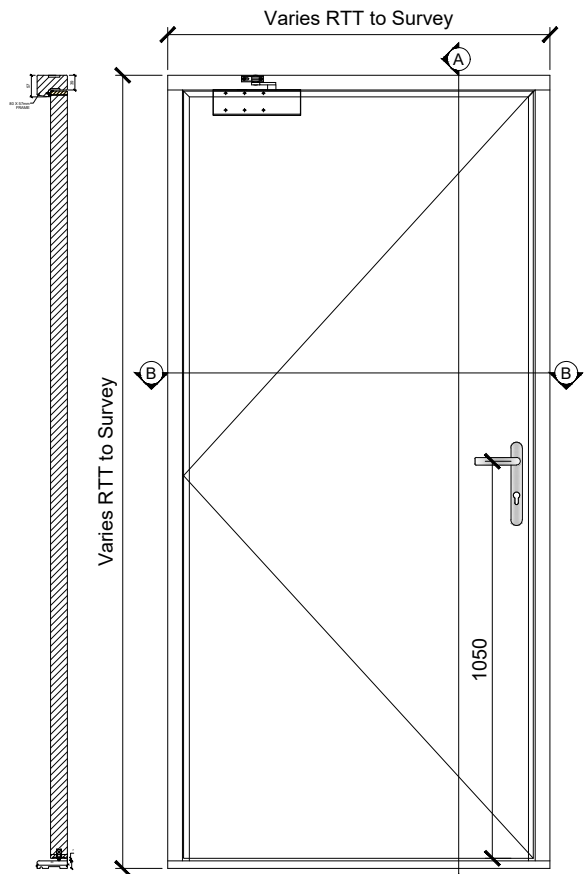
QTE2.0 FD30S c/w FD30S Fanlight - SBD - PAS24 : 2016

Handing: LH IN (Hinge viewed externally)  
Door Leaf: 926x2034mm (Varies RTT to survey)



REVISION	ALTERED	DATE	DESCRIPTION

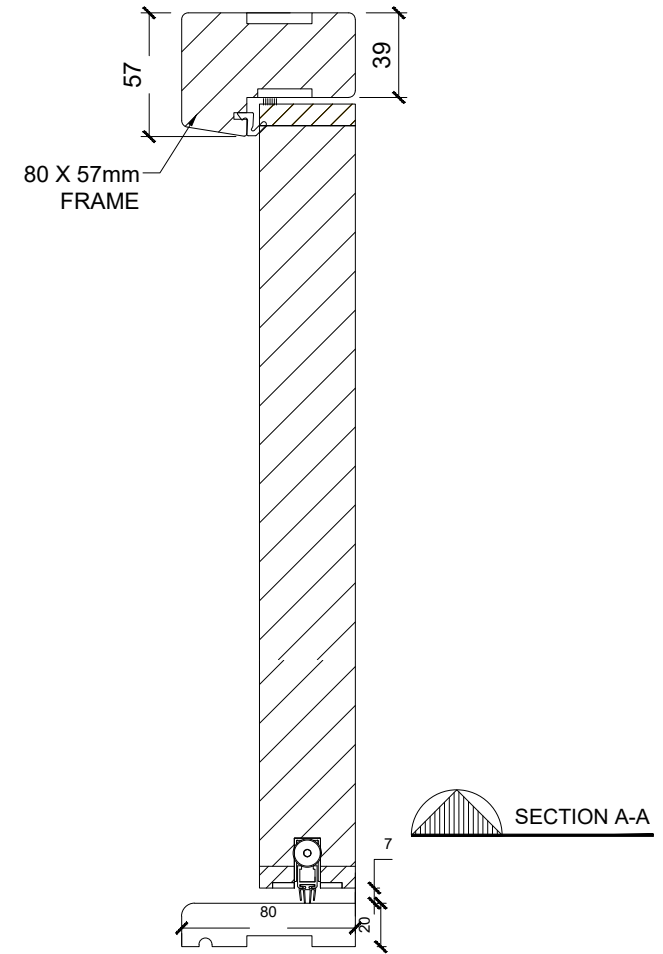
CLIENT: United Living		SITE: X251 Regency & Semley	
TITLE: Brunswick Crt - QTE2.0 FD30S c/w FD30S Fanlight		John A Russell 8 Dilwara Avenue Whiteinch Glasgow G14 OQS	JOB - DRAWING No: 38067-401
 <p><b>RUSSELL</b> Timber Technology Engineered to excel</p>	Tel: 0141 958 0444	SCALE: NTS@A4	DRAWN BY: JST
	Fax: 0141 958 0333		CHECKED:      DATE: 22/08/20
Web: www.russelltimbertech.co.uk		 <p><b>united living</b> Together we achieve more</p>	



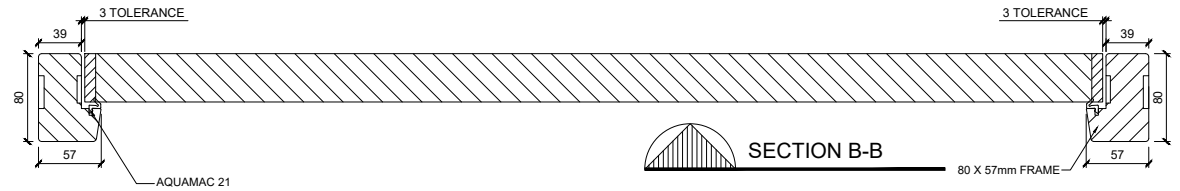
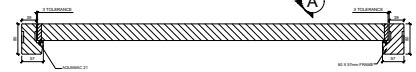
QTE2.0 FD30S - SBD - PAS24 : 2016

1. Door Colour - TBC
  2. Frame Colour - White NCS S0502Y
  3. Threshold - Drop seal c/w 80x20mm hardwood cill (*Fitted*)
  4. SAA Hinges (*Fitted*)
  5. Nickel Anti-Bump/Snap Euro Cylinder (Key/Turn) (*Fitted*)
  6. Keep Op. 3 Point Lock (*Fitted*)
  7. SAA Dorma TS71 Overhead door closer (*Loose*)
- 1no. Set 70x12mm R2A finished in White NCS S0502Y to match the frame.
  - High Security 3 point locking system to DIN 18103.Ø Euro Cylinder\* - Key /Thumb + Cylinder Guard (inc 3 Keys)

ELEVATION  
SCALE 1:20



SECTION A-A



SECTION B-B

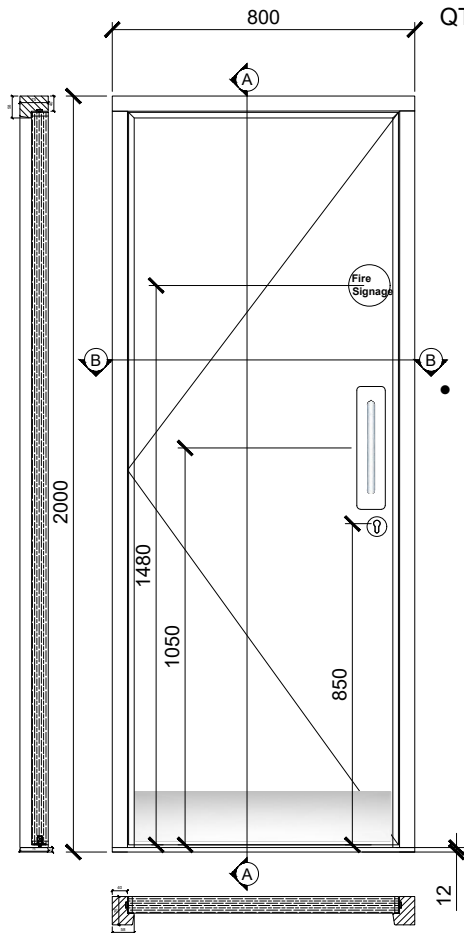
Quote Ref: D2  
QTE2.0 FD30S - SBD - PAS24 : 2016  
Handing: LH IN (Hinge viewed externally)  
Door Leaf: 926x2034mm (Varies RTT to survey)

REVISION	ALTERED	DATE	DESCRIPTION
CLIENT:	United Living		SITE: X251 Regency & Semley
TITLE:	Brunswick Crt - QTE2.0 FD30S		John A Russell 8 Dilwara Avenue Whiteinch Glasgow G14 OQS
 <b>RUSSELL</b> Timber Technology Engineered to excel	Tel: 0141 958 0444 Fax: 0141 958 0333 Web: www.russelltimbertech.co.uk		JOB - DRAWING No: 38067-402
	SCALE: NTS@A4	DRAWN BY: JST	CHECKED: DATE: 22/08/20



**united living**

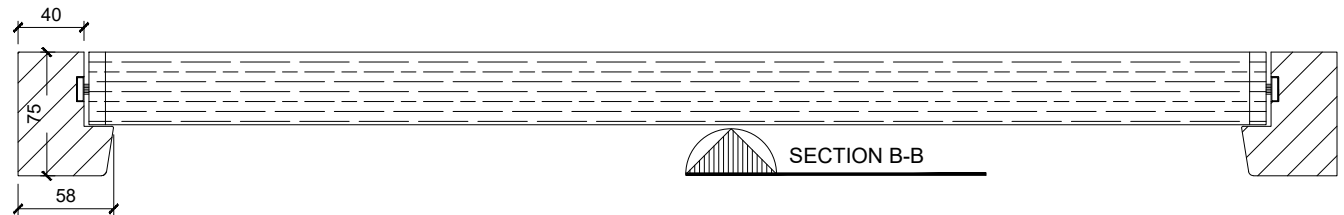
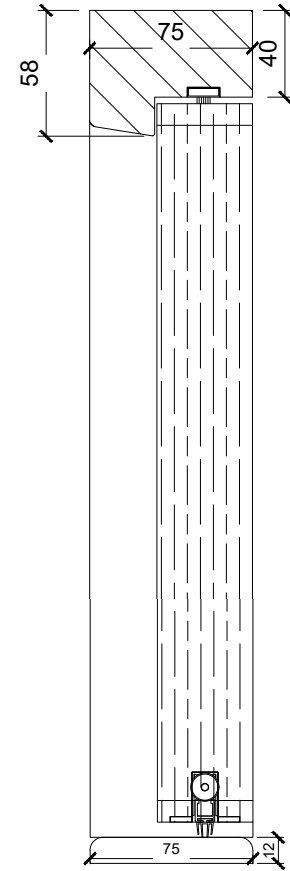
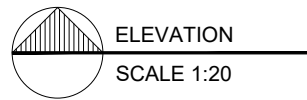
Together we achieve more



QTE1.0 FD30S

1. Door Colour - TBC
2. Frame Colour - White NCS S0502Y
3. Threshold - Drop seal c/w 75x12mm hardwood cill (*Fitted*)
4. SAA Hinges (*Fitted*)
5. SSS Surface fixed pull handle (*Loose*)
6. SSS Push plate (*Fitted*)
7. SSS Kickplate external (*Fitted*)
8. Photoluminescent signage (*Fitted*)
9. Euro profile lock (*Fitted*)
10. SAA Euro Escutcheon (*Loose*)

• (Euro profile Cylinder by others 30/10 half cylinder)




Quote Ref: D3

QTE1.0 FD30S

Handing: LH IN (Hinge viewed externally)  
Door Leaf: 714x1938mm (Varies RTT to survey)

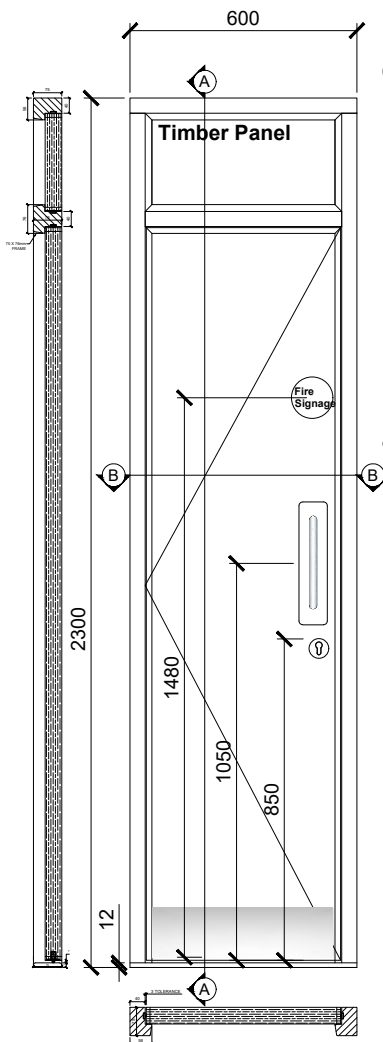
REVISION	ALTERED	DATE	DESCRIPTION

CLIENT: United Living	SITE: X251 Regency & Semley
TITLE: Brunswick Crt - QTE1.0 FD30S	John A Russell 8 Dilwara Avenue Whiteinch Glasgow G14 OQS
 <b>RUSSELL</b> Timber Technology Engineered to excel	JOB - DRAWING No: 38067-403
	SCALE: NTS@A4 DRAWN BY: JST CHECKED: DATE: 22/08/20



**united living**

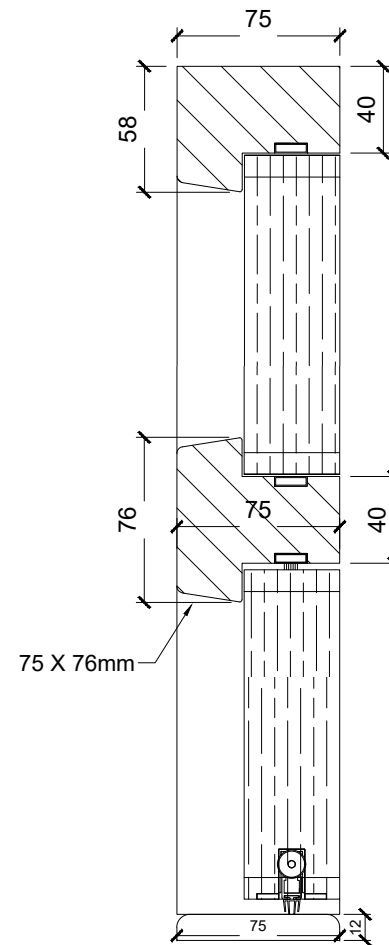
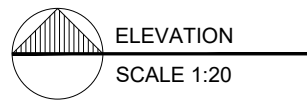
Together we achieve more



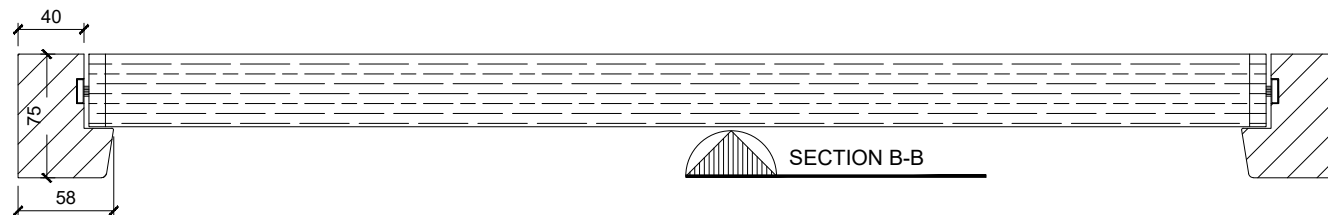
**QTE1.0 FD30S c/w FD30S Fanlight**

1. Door Colour - TBC
2. Frame Colour - White NCS S0502Y
3. Threshold - Drop seal c/w 75x12mm hardwood cill (*Fitted*)
4. SAA Hinges (*Fitted*)
5. SSS Surface fixed pull handle (*Loose*)
6. SSS Push plate (*Fitted*)
7. SSS Kickplate external (*Fitted*)
8. Photoluminescent signage (*Fitted*)
9. Euro profile lock (*Fitted*)
10. SAA Euro Escutcheon (*Loose*)

• (Euro profile Cylinder by others 30/10 half cylinder)



SECTION A-A




SECTION B-B

Quote Ref: D4

QTE1.0 FD30S c/w FD30S Fanlight

Handing: LH IN (Hinge viewed externally)  
Door Leaf: 514x1938mm (Varies RTT to survey)

REVISION	ALTERED	DATE	DESCRIPTION

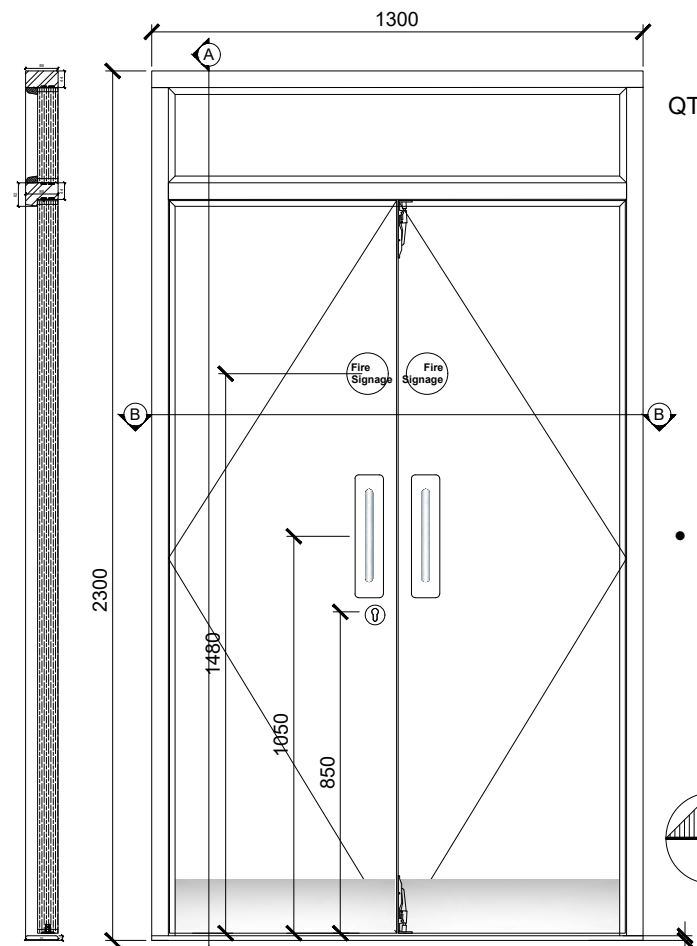
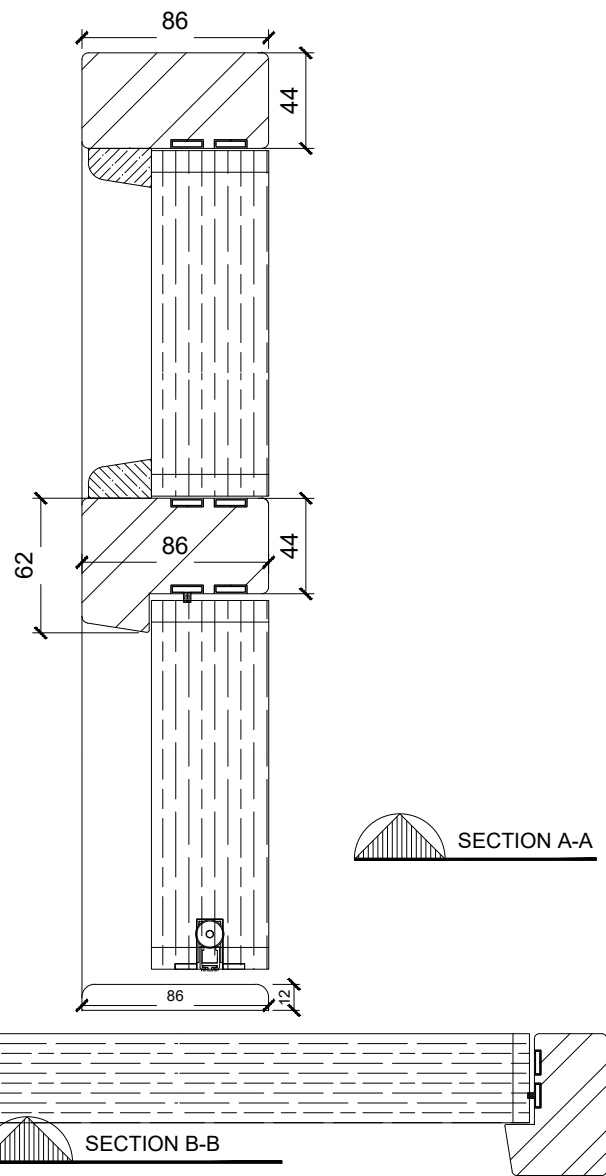
CLIENT: United Living	SITE: X251 Regency & Semley
TITLE: Brunswick Crt - QTE1.0 FD30S c/w FD30S Fanlight	John A Russell 8 Dilwara Avenue Whiteinch Glasgow G14 OQS
 <b>RUSSELL</b> Timber Technology Engineered to excel	JOB - DRAWING No: 38067-404
	SCALE: NTS@A4 DRAWN BY: JST CHECKED: DATE: 22/08/20



- QTE1.0 FD60S Double door c/w FD60S Fanlight
1. Door Colour - TBC
  2. Frame Colour - White NCS S0502Y
  3. Threshold - Drop seal c/w 86x12mm hardwood cill (Fitted)
  4. SAA Hinges (Fitted)
  5. SSS Surface fixed pull handle (Loose)
  6. SSS Push plate (Fitted)
  7. SSS Kickplate external (Fitted)
  8. Photoluminescent signage (Fitted)
  9. Euro profile lock (lead door) (Fitted)
  10. SAA Euro Escutcheon (lead door) (Loose)
  11. SAA Flush Bolts dead leaf (Fitted)

• (Euro profile Cylinder by others 35/10 half cylinder)

ELEVATION  
SCALE 1:20



Quote Ref: D5  
 QTE1.0 FD60S Double door c/w FD60S Fanlight  
 Handling: LH Lead leaf IN (Hinge viewed externally)  
 Door Leaf: 756x1938mm (Varies RTT to survey)

REVISION	ALTERED	DATE	DESCRIPTION

CLIENT: United Living	SITE: X251 Regency & Semley
TITLE: Brunswick Crt - QTE1.0 Dbl DoorFD60S c/w FD60S Fanlight	John A Russell 8 Dilwara Avenue Whiteinch Glasgow G14 OQS
<p>Tel: 0141 958 0444          Fax: 0141 958 0333          Web: www.russelltimbertech.co.uk</p>	JOB - DRAWING No: 38067-405
	SCALE: NTS@A4 DRAWN BY: JST CHECKED: [ ] DATE: 22/08/20

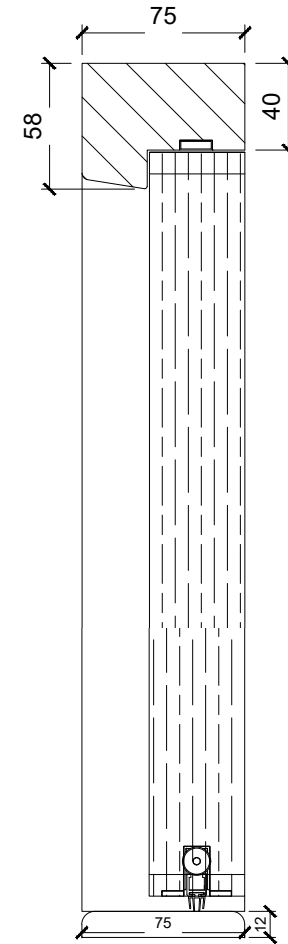
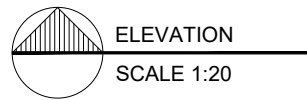
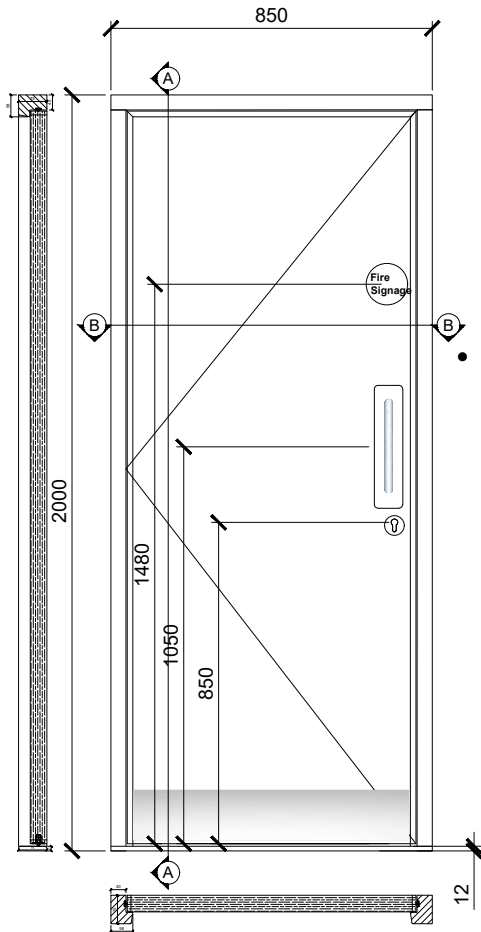
united living

Together we achieve more

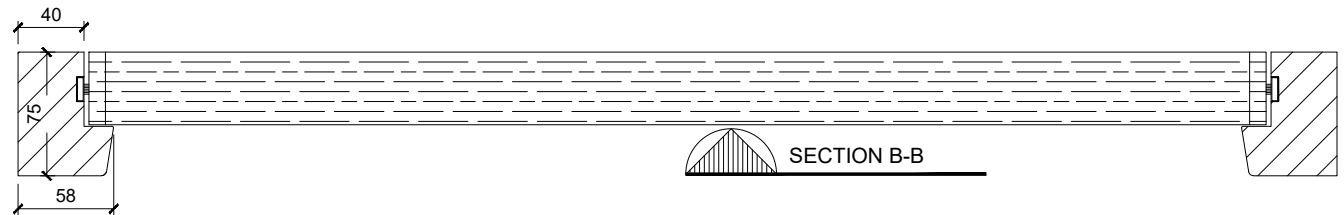
QTE1.0 FD30S

1. Door Colour - TBC
2. Frame Colour - White NCS S0502Y
3. Threshold - Drop seal  
c/w 75x12mm hardwood cill (*Fitted*)
4. SAA Hinges (*Fitted*)
5. SSS Surface fixed pull handle (*Loose*)  
SSS Push plate (*Fitted*)
6. SSS Kickplate external (*Fitted*)
7. Photoluminescent signage (*Fitted*)
8. Euro profile lock (*Fitted*)
9. SAA Euro Escutcheon (*Loose*)

• (Euro profile Cylinder by others 30/10 half cylinder)



SECTION A-A




SECTION B-B

Quote Ref: D6

QTE1.0 FD30S

Handing: LH IN (Hinge viewed externally)  
Door Leaf: 764x1938mm (Varies RTT to survey)

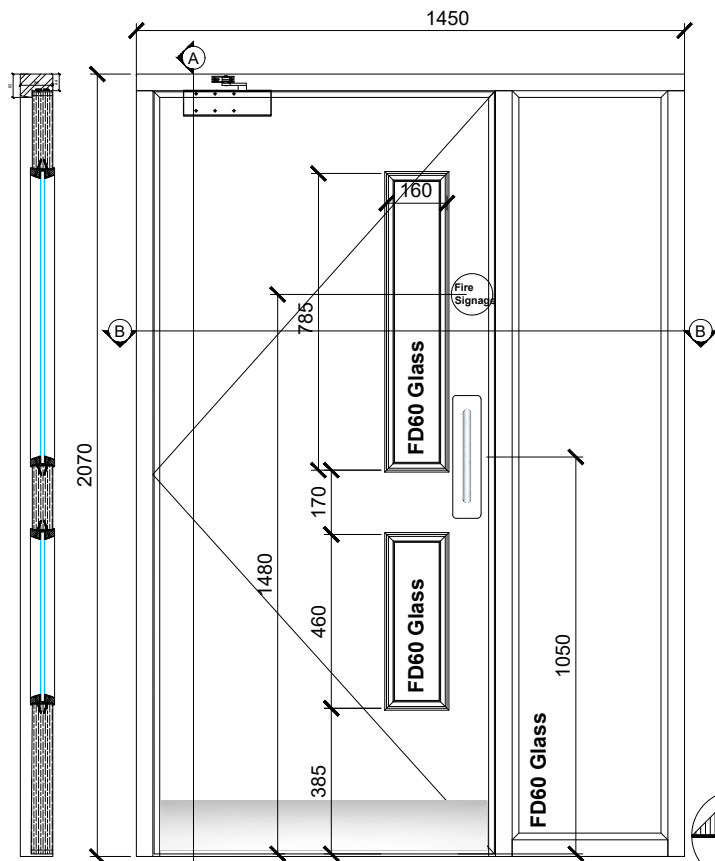
REVISION	ALTERED	DATE	DESCRIPTION

CLIENT: United Living	SITE: X251 Regency & Semley
TITLE: Brunswick Crt - QTE1.0 FD30S	John A Russell 8 Dilwara Avenue Whiteinch Glasgow G14 OQS
 <b>RUSSELL</b> <b>Timber Technology</b> Engineered to excel	JOB - DRAWING No: 38067-406 SCALE: NTS@A4
	DRAWN BY: JST CHECKED: DATE: 22/08/20



**united living**

Together we achieve more

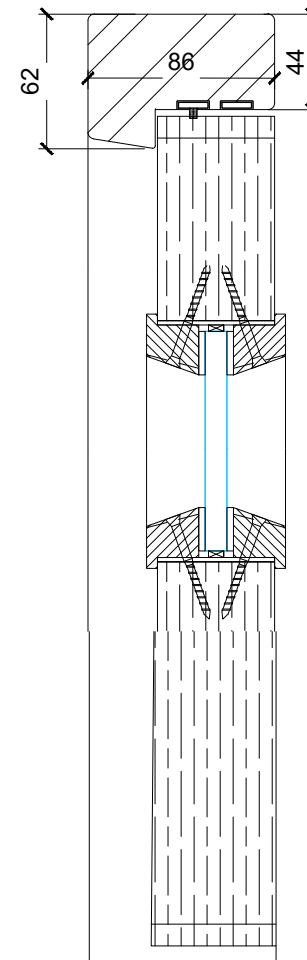


QTE1.2 FD60S c/w FD60S Sidelight

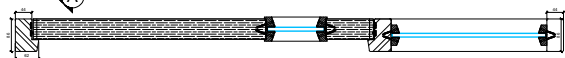
1. Door Colour - TBC
2. Frame Colour - White NCS S0502Y
3. Threshold - Nom 10mm Clearance
4. SAA Hinges (*Fitted*)
9. Glass - FD60 Clear SGU
10. SSS Surface fixed pull handle (*Loose*)
11. SSS Push plate (*Fitted*)
12. SSS Kickplate external (*Fitted*)
13. Photoluminescent signage (*Fitted*)

Pass door - No locks

ELEVATION  
SCALE 1:20



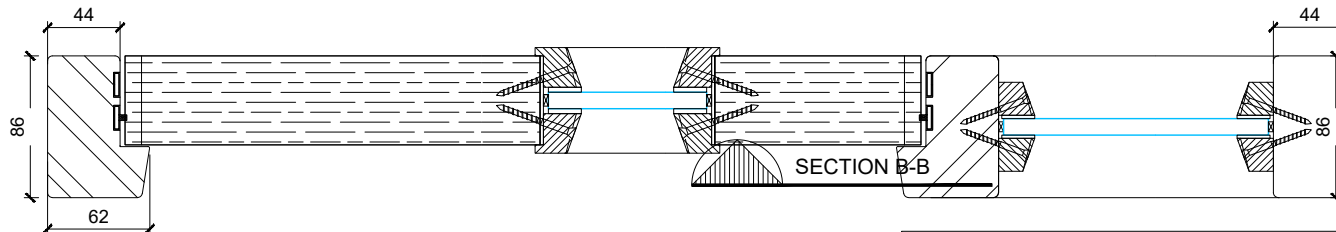
SECTION A-A



Quote Ref: D7

QTE1.2 FD60S c/w FD60S Sidelight

Handing: LH IN (Hinge viewed externally)  
Door Leaf: 900x2004mm (Varies RTT to survey)



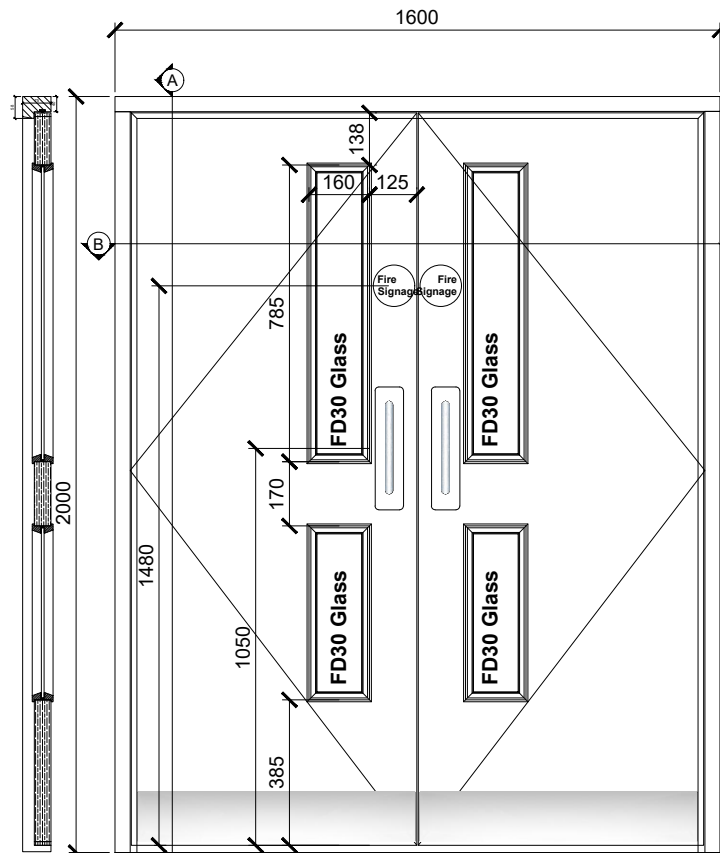
SECTION B-B

REVISION	ALTERED	DATE	DESCRIPTION
CLIENT:	United Living		SITE: X251 Regency & Semley
TITLE:	Brunswick Crt - QTE1.0 FD60S c/w FD60S Sidelight		John A Russell 8 Dilwara Avenue Whiteinch Glasgow G14 OQS
 <b>RUSSELL</b> Timber Technology Engineered to excel	Tel: 0141 958 0444 Fax: 0141 958 0333 Web: www.russelltimbertech.co.uk		JOB - DRAWING No: 38067-407
	SCALE: NTS@A4	DRAWN BY: JST	CHECKED: DATE: 22/08/20



**united living**

Together we achieve more

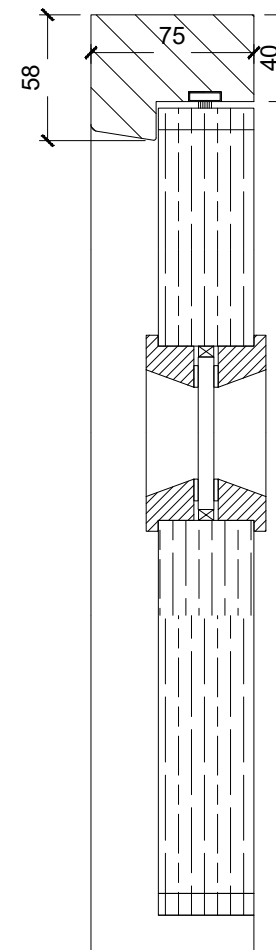


QTE1.2 FD30S Double door

1. Door Colour - TBC
2. Frame Colour - White NCS S0502Y
3. Threshold - Nom 10mm Clearance
4. SAA Hinges (*Fitted*)
9. Glass - FD30 Clear SGU
10. SSS Surface fixed pull handle (*Loose*)
11. SSS Push plate (*Fitted*)
12. SSS Kickplate external (*Fitted*)
13. Photoluminescent signage (*Fitted*)

- Pass door no locks

ELEVATION  
SCALE 1:20



SECTION A-A




SECTION B-B

Quote Ref: D8

QTE1.2 FD30S Double door

Handing: LH Lead leaf IN (Hinge viewed externally)  
Door Leaf: 755x1938mm (Varies RTT to survey)

REVISION	ALTERED	DATE	DESCRIPTION

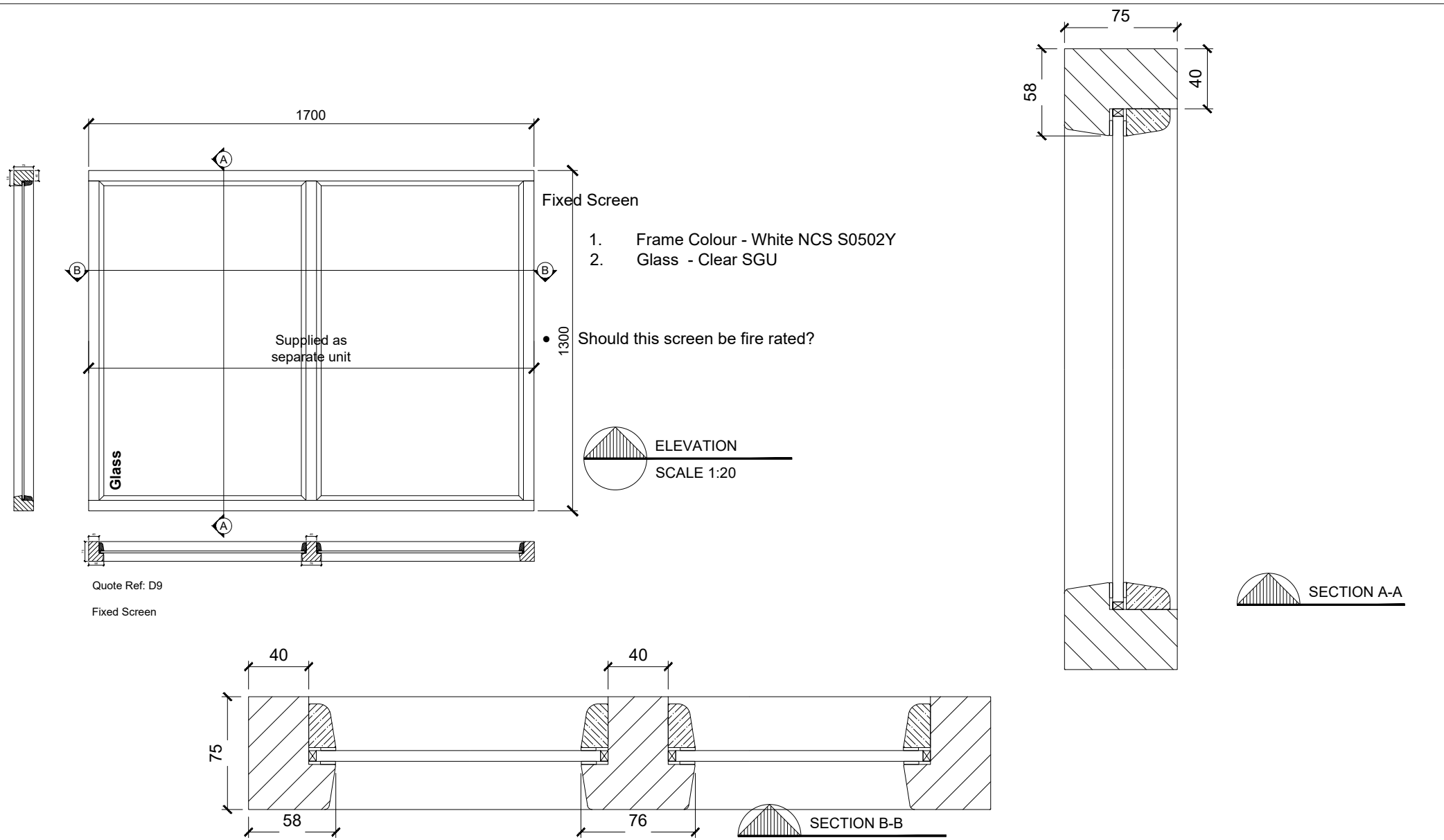
CLIENT: United Living	SITE: X251 Regency & Semley		
TITLE: Brunswick Crt - QTE1.0 FD30S Double door	John A Russell 8 Dilwara Avenue Whiteinch Glasgow G14 OQS	JOB - DRAWING No:	38067-408
 <b>RUSSELL</b> <b>Timber Technology</b> Engineered to excel	Tel: 0141 958 0444	SCALE:	DRAWN BY
	Fax: 0141 958 0333	NTS@A4	JST
Web: www.russelltimbertech.co.uk		CHECKED	DATE
			22/08/20





**united living**

Together we achieve more





REVISION	ALTERED	DATE	DESCRIPTION

CLIENT: United Living	SITE: X251 Regency & Semley
TITLE: Brunswick Crt - Fixed Screen	John A Russell 8 Dilwara Avenue Whiteinch Glasgow G14 OQS
 <b>RUSSELL</b> <b>Timber Technology</b> Engineered to excel	JOB - DRAWING No: 38067-409 SCALE: NTS@A4
	DRAWN BY: JST CHECKED: DATE: 22/08/20
Tel: 0141 958 0444 Fax: 0141 958 0333 Web: www.russelltimbertech.co.uk	 <b>united living</b> Together we achieve more